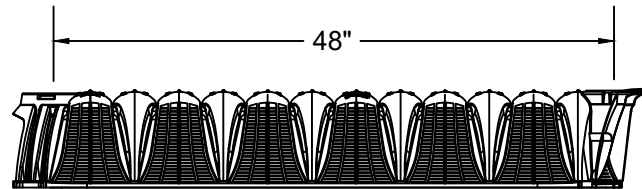
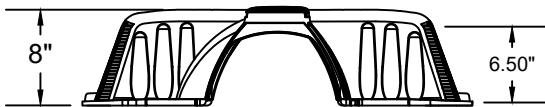
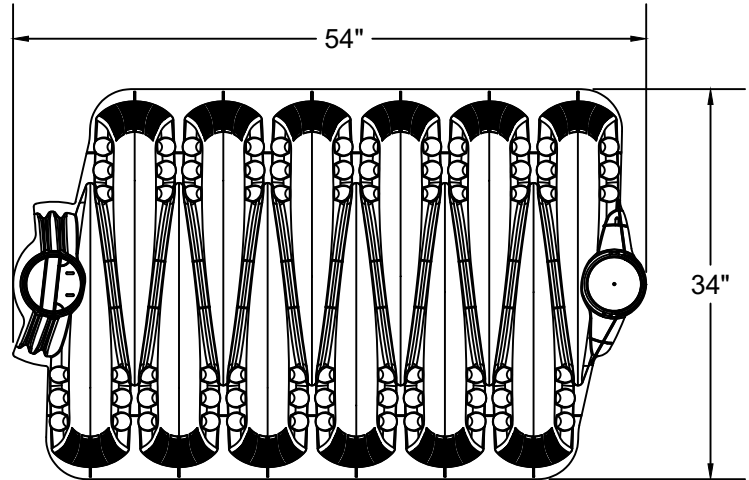


PRO 4® / 36LP

onsite chambers by **PRINSCO**
WATER MANAGEMENT SOLUTIONS

Pro4/36 LP® Specifications	
Chamber Size (L x W x H)	54" x 34" x 8" (1371 x 864 x 203 mm)
Effective Length	48" (1219 mm)
Chamber Storage	32 gal (121 L)
Sidewall Height	6.5" (165 mm)
Open Bottom Area	9.44 ft² (0.88 m²)
Weight	14 lbs (6.35 kg)



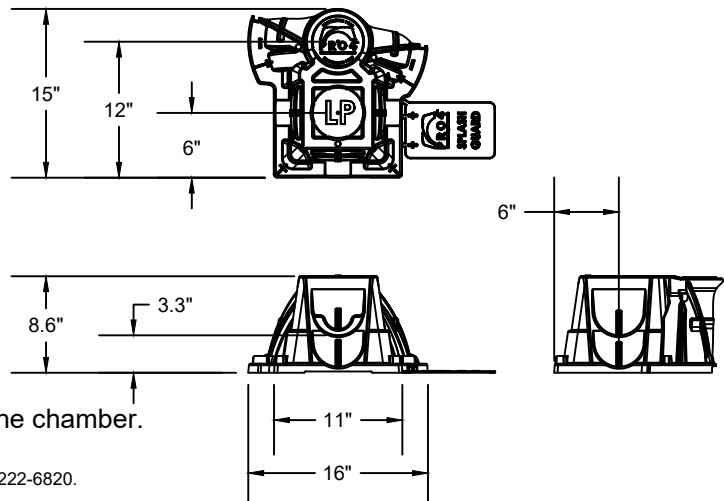
CHAMBER LOADING

Pro4/36 LP® chambers meet H-10 loading requirements which support axle loads up to 16,000 lbs when installed with 12" minimum cover over the chamber. See the Pro4® Installation guides for more information.

CHAMBER COUPLING

Pro4/36 LP® chamber coupling supports a pivot of 10 degree left or right. Each coupler has a locking mechanism and the capability to support a 4" inspection port. The direction of installation is located on top of the chamber.

Pro4 LP® Endcap Specifications	
Endcap Size (L x W x H)	15" x 16" x 8.6" (381 x 406 x 218 mm)
Effective Length	12" (304 mm)
Invert Elevations	0.5", 3.3", 8.6"
Endcap Storage	4 gal (15 L)
Weight	2.1 lbs (0.95 kg)



Pro4 LP® Endcaps can be installed at either end of the chamber.

Prinsco's Pro4 Limited Warranty is available at www.Prinsco.com or call (320) 222-6820.

For questions and technical support: Please contact Prinsco Technical Services at (320) 222-6820 or visit us at www.Prinsco.com.

THIS DETAIL DEPICTS RECOMMENDED INSTALLATION PRACTICES AND IS NOT INTENDED TO SUPERSEDE ANY NATIONAL, STATE OR LOCAL SPECIFICATIONS. PRINSCO BEARS NO RESPONSIBILITY FOR ANY ALTERATIONS, REVISION AND/OR DEVIATION FROM THIS STANDARD DETAIL. PRINSCO HAS NOT PERFORMED ANY ENGINEERING OR DESIGN SERVICE FOR THIS PROJECT. THE DESIGN ENGINEER SHALL REVIEW THESE DETAILS PRIOR TO CONSTRUCTION TO VERIFY SUITABILITY. © PRINSCO, INC.



1717 16TH ST. NE
WILLMAR, MN 56201
www.prinsco.com

TITLE: PRO4/36 LP - SPECIFICATION DETAIL		
DRAWN BY: ZJJ	DATE: 27-Mar-24	DRAWING NUMBER:
SCALE: NTS	SHEET: 1 OF 1	TN-5-017