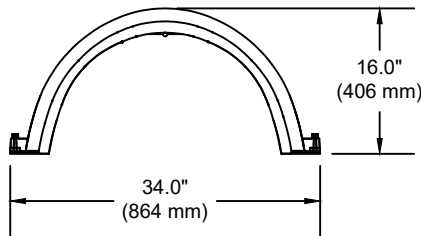
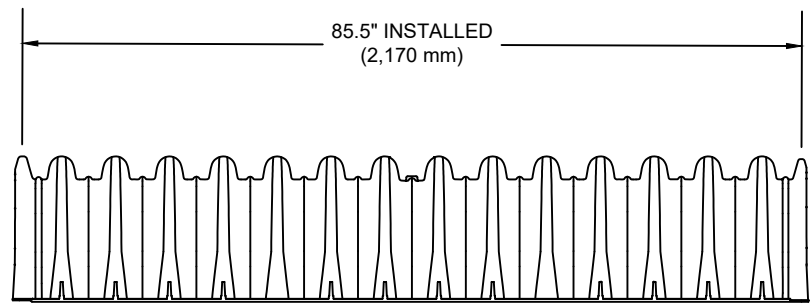
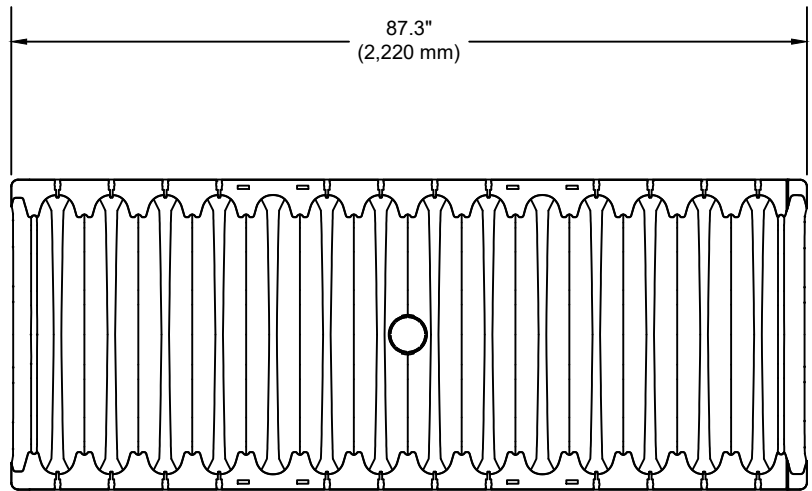
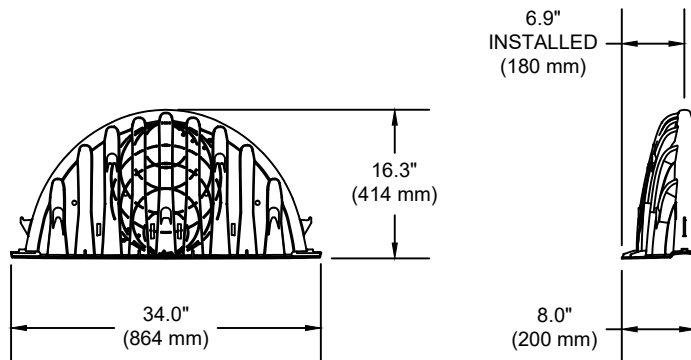


Chamber Specifications	
Chamber Size (L x W x H)	87.3" x 34.0" x 16.0" (2,220 x 864 x 406 mm)
Installed Length	85.5" (2,170 mm)
Chamber Storage	15.2 ft ³ (0.43 m ³)
Min. Installed Storage*	31.2 ft ³ (0.88 m ³)
Weight / Chamber	34 lbs (15 kg)
Chambers / Pallet	90
Approx. Weight / Pallet	3,380 lbs (1530 kg)



End Cap Specifications	
End Cap Size (L x W x H)	8.0" x 34.0" x 16.3" (200 x 864 x 414 mm)
Installed Length	6.9" (180 mm)
End Cap Storage	0.62 ft ³ (0.02 m ³)
Min. Installed Storage*	5.19 ft ³ (0.15 m ³)
Weight	3.8 lbs (1.7 kg)



*ASSUMES 6" (150 mm) STONE ABOVE CHAMBERS/END CAPS, 6" (150 mm) OF STONE FOR FOUNDATION STONE, 6" (150 mm) OF STONE BETWEEN CHAMBERS/END CAPS, 12" (300 mm) OF STONE PERIMETER IN FRONT OF END CAPS AND 40% STONE POROSITY.

THIS DETAIL DEPICTS RECOMMENDED INSTALLATION PRACTICES AND IS NOT INTENDED TO SUPERSEDE ANY NATIONAL, STATE OR LOCAL SPECIFICATIONS. PRINSCO BEARS NO RESPONSIBILITY FOR ANY ALTERATIONS, REVISION AND/OR DEVIATION FROM THIS STANDARD DETAIL. PRINSCO HAS NOT PERFORMED ANY ENGINEERING OR DESIGN SERVICE FOR THIS PROJECT. THE DESIGN ENGINEER SHALL REVIEW THESE DETAILS PRIOR TO CONSTRUCTION TO VERIFY SUITABILITY. © PRINSCO, INC.



1717 16TH ST. NE
WILLMAR, MN 56201
www.prinSCO.com

TITLE: HYDROSTOR HS31 - SPECIFICATION			
DRAWN BY: AED	DATE: 04-Sep-24	DRAWING NUMBER:	
SCALE: NTS	SHEET: 1 OF 1	D-7-401	